

**200W 成像灯(专业版)**

**200W LED Profile Spotlight**

**(Professional Version)**



**PS200P**

Instruction manual  
使用说明书

**Advice before use**

Read these instruction carefully.As soon as the equipment is delivered, Open packing and inspect the equipment Carefully.

If you notice any damage,immediately contact the transport company and register your Complaint in due form listing the defects.

Be sure thatthis equipment left our factouy in perfect condition.

Check if the received equipment is consistent with the delivery notice and if this deliver notice is consistent with your order.If it is not ,immediately contact with you supplier.

**General Remarks**

his luminaire is lighting equipment designed for professional use only indoors in theatre nd television or film studios.It must imperatively be connected to earth by means of its earth wire.

orevent any electrical shock, this equipment should not be opened when functioning.

**Nevertheless:**

part or lenses have to be replaced if they are visibly damaged and their efficiency ht be reduced, for example in case of deep cracks or scratches.The lamp must be ged if damaged or distorted by heat.If internal access is needed for control, service c repair purposes always refer to qualified personnel.

In all events, always unplug the power supply cable before opening.

It is the user's responsibility to use the luminaire for its intended purpose and to check the eipment that might be connected to it.

luminaire is a piece of professional equipment designed for easy and simple use Nevertheless, always refer to qualified personnel for any installation or repare work.

**Important Remark**

Power supply cables and other connections are essential for your equipment and contribute greatly to a safe and trouble free operation.

Always hold the plug when disconnecting a cable, never pull the cable.Never use cables nnectors in bad condition, check them before installation and periodically thereafter.Never tie power supply and data cables together

**Electrical Connection**

minaire is designed for operating at a nominal voltage of 230V.It is fitted with a 1.2msilicone power supply cable (3\*1.5mm<sup>2</sup>)

ur own safety,make sure the earth wire(yellow-green)is ALWAYS connected to earth.

**ATTENTION:**



**LETHAL VOLTAGE PRESENT INSIDE**

## 提示

使用前请仔细阅读此安全规则。

该设备已经通过运输到过使用目的地后，请小心打开包装并取出设备如发现任何缺损，应立即联系货运公司并按照缺损情况进行投诉。确认此设备在出厂时为完好无损。

请检查接收的设备是否与货运单中登记的货物相符，以及货运单中登记货物与您的订购的货物相符，如有不符请立即联系您的供货商。

## 总述

此灯具专为剧场、电视电影工作间等设计的专业户内照明设备。必须将标记为地级的电线接地线。

不要在此设备运行时打开外壳，以避免被电击。

在镜片发现明显缺损，应立即更换镜片并降低其功率，比如深刻的裂痕或刮痕。发光体在高热后出现损坏或扭曲变形应立即更换。需要在灯具内部进行检查、维护、修理等操作时，都应交由专业人士。

一旦出现事故，在打开灯具外壳前应首先拔去电源线插头。

使用者应在此设备规定用途范围内进行操作，并核对设备的线路是否正确连接。请不要将该灯具置于多变的恶劣环境。

生产商概不承担由于擅自更换其它类型光源而引起的损坏事故责任。

此灯具是一种专业设备，虽设计改良后的操作简单方便，但仍需要专业人士进行安装维护。

## 要点

电源线及其它连接装置对于设备都是很重要的，因其合理安排才导致设备的安全便利运用。

在拔插电源时必须用手持插头并拉出，切勿直接拉扯电源线。

勿在恶劣的环境下使用电源线，在安装前应检测，并在安装后保持周期性的检测切勿将电源线及其他信号线扎在一起，以防混淆。

## 电源连接

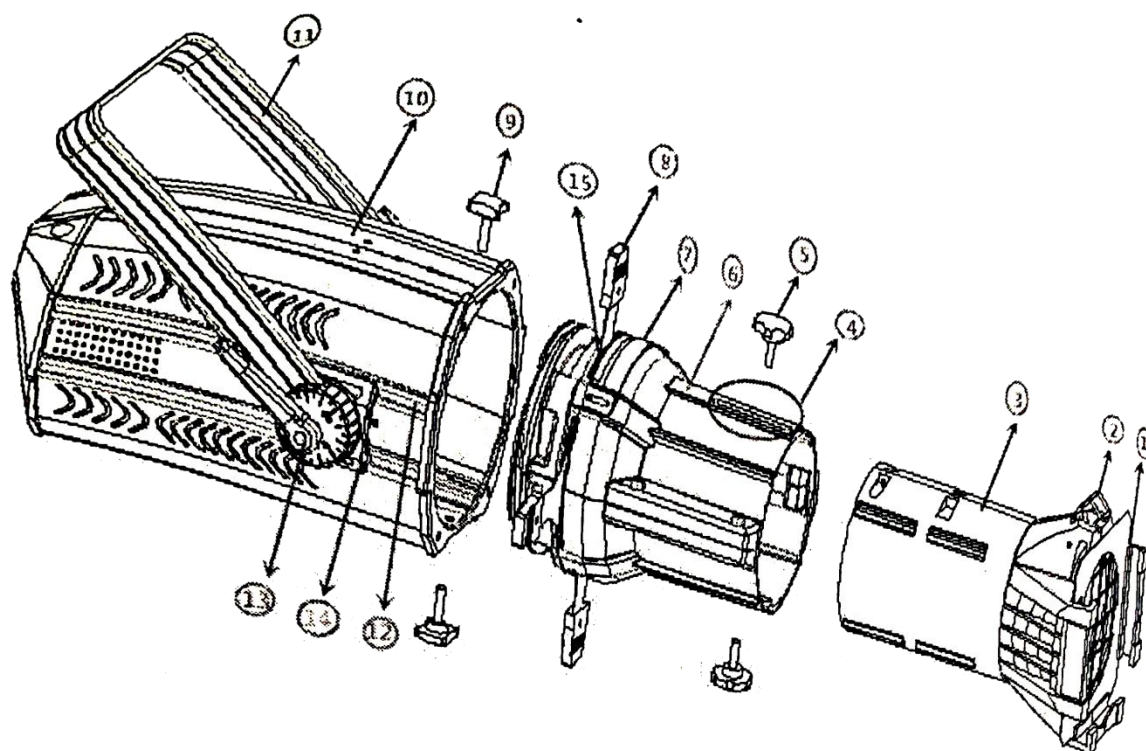
此灯具适应 230V 的常规电压。并带有 1.2M 硅胶线（1.5 平方）。为了使用者的安全，务必保持地线（黄绿色）接地。

**警告：**



内部带危险电压！

## Overview 部件名称



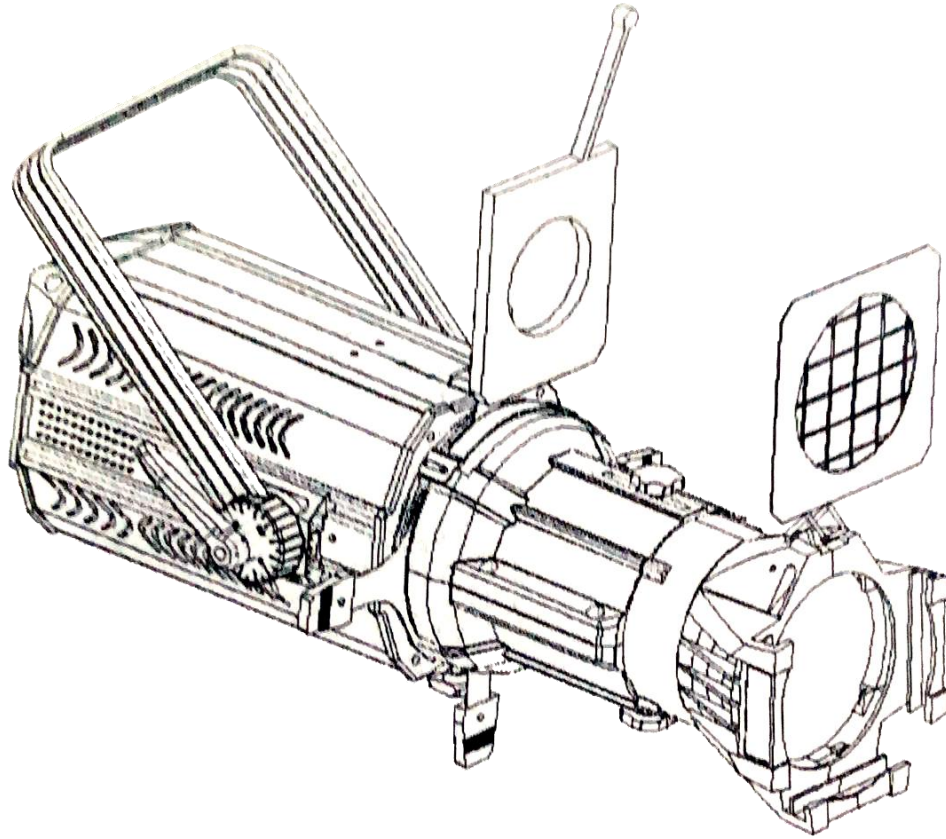
- |                                      |            |
|--------------------------------------|------------|
| 1. Color Chip frame Fixer            | 1. 色片卡槽    |
| 2. Color Flake Calipers              | 2. 色片扣     |
| 3. Profile lens tube                 | 3. 脚部      |
| 4. Focusing slot                     | 4. 调焦槽     |
| 5. Nut for Front Drawtube            | 5. 梅花螺丝    |
| 6. Design Adjustment Tube            | 6. 中部      |
| 7. Slot for Iris                     | 7. 缩光圈卡槽   |
| 8. Lighting Adjustment Flake         | 8. 切光片     |
| 9. Screw for Design Adjustment Tube  | 9. 四星螺丝    |
| 10. Light emitting part              | 10. 主体     |
| 11. Handle                           | 11. 提手     |
| 12. Cooperate with the activity slot | 12. 配合件活动槽 |
| 13. Nut for Suspension Loop          | 13. 合金螺丝   |
| 14. Handle fit piece                 | 14. 提手配合件  |
| 15. Slot for Gobo Holder             | 15. 图案片卡槽  |

**Body package specification 灯具包装明细**

Number/序号	Description/名称	Units/单位	Quantity/数量
1	Light 灯具	PCS	1
2	Power coed 电源线	PCS	1
3	Signal cords 信号线	PCS	1
4	nstruction manual 说明书	PCS	1

**Purchased separately options 灯体配件另选项**

Number/序号	Description/名称	Units/单位	Quantity/数量
1	LOGO clamp 图案夹	PCS	1
2	Shrink aperture 缩光圈	PCS	1
3	Lights hook 灯沟	PCS	1
4	Safely cable 保险绳	PCS	1



The 200W imaging light is a professional imaging light that uses a high-density integrated new light source, which can fully match the professional 19°, 26°, 36°, 50° lens barrel, and the spot and LOGO image are clear.

3000K color rendering index 95. Specialized in imaging lights for theaters, theaters, TV stations, studios, and banquet halls.

200W 成像灯是一款采用高密度集成新型光源的专业成像灯，可完全匹配专业的19°，26°，36°，50°的镜筒，光斑，LOGO成像都清晰。  
3000K 显色指数 95. 专业为剧场，剧院，电视台，演播厅，宴会厅而设的成像灯。

## **Use & Operation** 使用和操作

### **Adjusting** 调整

Draw out 4 Lighting Adjustment Flakes<sup>⑧</sup>, connect the power supply, until the light spots are the brightest, loosen the Nut for the Front Drawtube<sup>⑤</sup>, adjust the Front Drawtube<sup>③</sup> fore and aft until the margin of the light spots are the clearest.

打开 4 件切光片⑧，连接电源，直到最亮的光点，松开螺母的伸缩管⑤，调整前伸缩管③从头到尾，直到光效最佳为止。

### **Design Flake 图案片**

wanting to get the effect of the design.you must firstly make the designflake snow erse images.Loosen t he nut for the Design Flake Fixed Slot 15&then move it forwar the Design Bayonet comes.Out & then in sert the design flake.Tum on the light,adjus the Front Drawtube③until getting the clearest design,the fa sten the Front Drawtube.

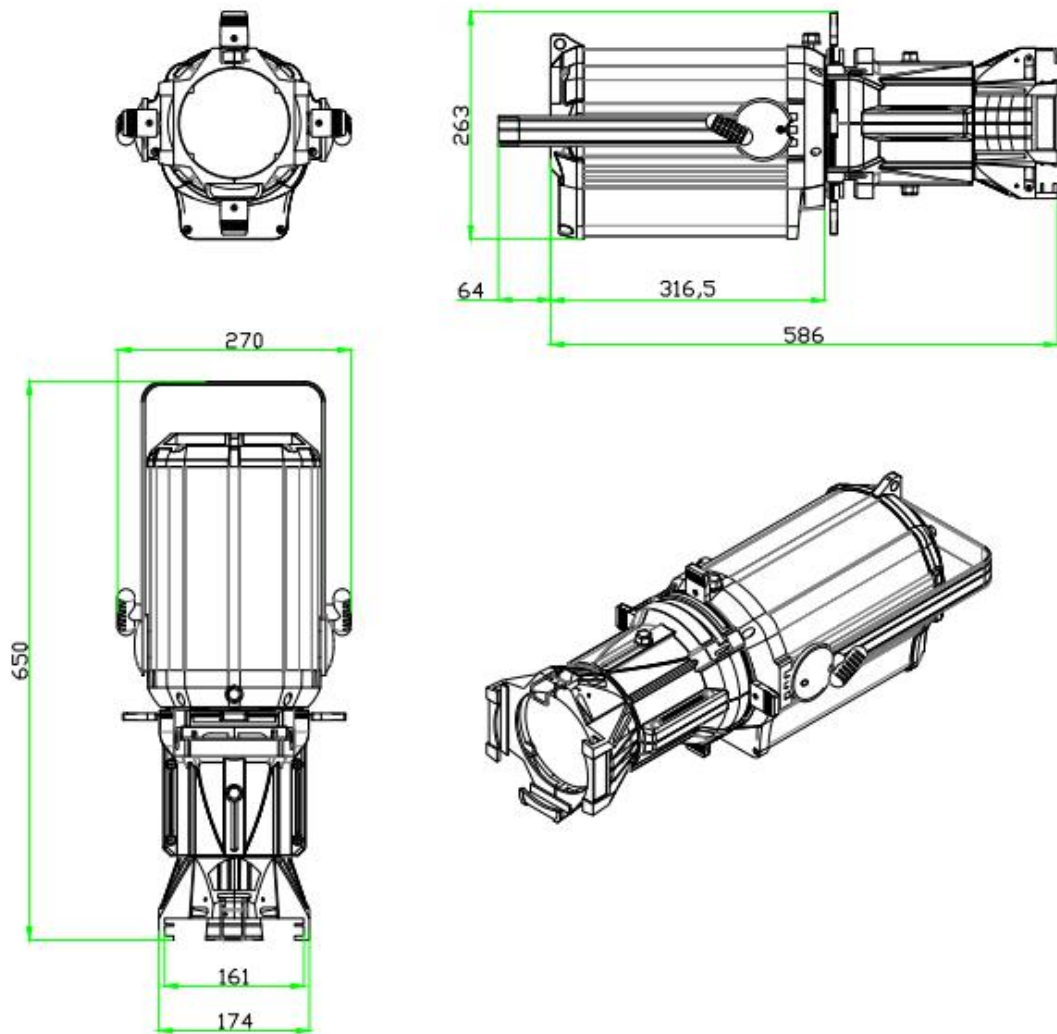
如果想要得到图案的效果，首先必须使图案片的反图像。松开螺母图案片卡槽 15，然后它向前移动，直到可放入图案夹。取出并插入图案片。不清楚的光，前后调整脚部位置③，直到获得最清晰的图案，固定好脚部位置。

### **Color Flake 色片夹**

If wanting colors,please clip the color flake with the color flake clip,open the Color Flake Calipers & then insert the color flake.

如果想要其他颜色，打开色片扣取出色片夹网，把颜色片放入色片夹网夹紧，然后插入色片卡槽内，关上色片扣

### **Dimensions 尺寸图**

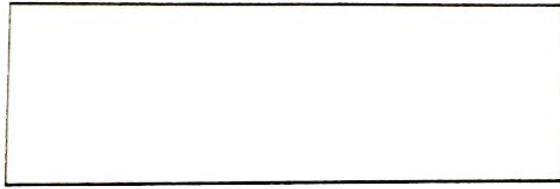


## Specifications 规格参数

额定功率 Voltage:	AC100-230V 50-60HZ
光源 light source:	200W Edison LED
色温 CT:	3200K/5600K
显指 RA:	95
透镜角度 Lens angle:	19° /26° / 36° 50° (Conventional 19 degrees 常规 19° )
通道 Channel:	2CH
控制模式 Control mode:	DMX512 Master-slave
调光 Dimming:	linear dimming 线性调光
最高环境温度 Maximum ambient temperature:	<40°
最高表面温度 Maximum surface temperature:	<85°
N.W 净重:	9.5KG
Lighting size 灯具尺寸:	61x32x17.5CM



## Menu operation instructions 菜单操作说明



A B C D

- A. MENU 菜单
- B. DOWN 减键
- C. UP 加键
- D. ENTER 确定

Instructions: according to the function keys A cycle of different function, press B or C can modify the parameter values. Press the D key to confirm.

操作说明：按功能键 A 会循环出不同的功能，按 B 或 C 键即可修改其参数值。按 D 键确认即可。

## Key operation instructions 按键操作说明

序号 number	菜单 NUME	菜单功能 Menu function	说明 Description
1	DMX-ADDR 001	DMX512 地址码设置 001/DMX512 address code setting 001	按上下键调节地址码,按确定键保存/Press the up and down keys to adjust the address code, and press the OK key to save.
2	R-DIMMER 001	LED 亮度调节 255/LED Dimmer255	按上下键调节 LED 亮度,按确定键保存/Press the up and down keys to adjust the brightness of the LED, and press the OK key to save.
3	P_STROBE 255	频闪快慢调节 255/Strobe speed adjustment 255	按上下键调节频闪速度,按确定键保存/Press the up and down keys to adjust the strobe speed, press the OK key to save
4	DMX-KEEP ON/OFF	DMX 信号保持选择/DMX signal keep selection	按上下键选择是否保持,按确定键保存/Press the up and down keys to choose whether to keep, press the OK key to

			save
5	Now temp	灯珠温度/Lamp bead temperature	实测灯珠的当前温度/Measure the current temperature of the lamp beads

### The DMX512 Channel 通道说明

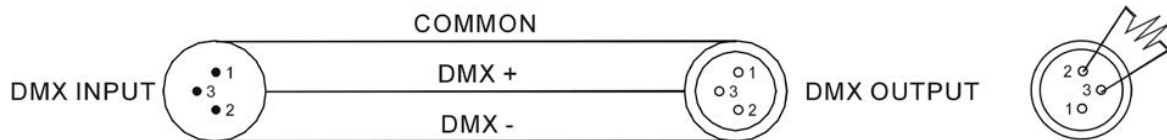
Channel 通道	Function/功能	Introduction 说明
1CH	Dimmer/调光	0-255 LED Dimmer Linear dimming from dark to bright 0-255 LED 调光 线性调光 由暗到量
2CH	Strobe/频闪	0-255 Stroboscopic speed adjustment 0-255 调节频闪速度

address code state, multimachine connection, without control table, which can realize the master-slave online features, operation of a device, the rest in address d001 state of the host device synchronized with the running program. Through to control if receives the control table, behind the podium display X become V, the address in the state of equipment can be controlled to control

在地址码状态，多机连接后，若没有接控台，可实现主从联机功能，操作其中的一台设备，其余的在地址 d001 状态下的设备跟随主机同步运行程序。接通控台后若接收到控台信号，显示屏的 X 会变成 V，在地址状态下的设备可受控台控制。

### DMX connection DMX 连接

DMX512 is widely used in lamp control, and can control up to 512 channels



On the last luminaire, a terminator is required for the DMX signal line. Solder a 120 Ω , 1/4W resistor between pin2 and pin3, install it into the 3-pin XLR plug and plug it into the DMX output port of the last lamp.

Use the XLR signal cable to connect the lamp, one end to the output port of the lamp, and the other end to the output port of the next lamp. The XLR signal cable can only be used in series, not parallel. DMX512 signal transmission speed is very fast. Damage to the signal line, weak welding, poor contact, etc., will affect signal transmission and cause the system to shut down.

When the power supply of a certain lamp is cut off, the connection of DMX output and input is bypassed, so that the connection of DMX line can be maintained.

Each lamp needs an address code, which can receive the information sent by the console, ranging from 0 to 512. The terminal of the system needs to be equipped with a terminator to reduce signal transmission errors.

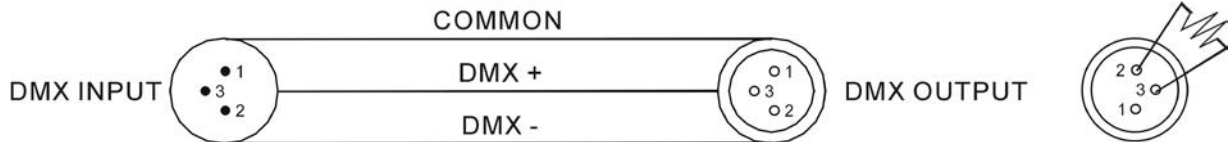
### DMX address code setting

When using a universal DMX console to control a lamp, please set the start address code

(1 ~ 512) for the lamp first, so that the lamp can receive DMX signals.

Press the MENU button until the DMX address is displayed on the screen, press the ENTER button, and use the DOWN /UP button to change the DMX512 address. Press the ENTER button until the display stops flashing or it is automatically saved after one minute. To return to the main menu, press the MENU button.

DMX512 广泛用于灯具控制，最多可控制 512 个通道



最后一台灯具上，DMX 信号线需要安装一个终端器。焊接一个  $120\ \Omega$ , 1/4W 的电阻在 pin2 和 pin3 之间，装进 3-pin 的 XLR 插头之内并将它插在最后一盏灯的 DMX 输出口。

用 XLR 信号线连接灯具，一端接到灯具的输出口，另一端接到下一个灯具的输出口 XLR 信号线只能用于串联，不可以并联。DMX512 信号传输的速度很快。信号线损坏，焊接处不牢，接触不好等，都会影响信号传输，导致系统关闭。

当某台灯具的电源断电时，DMX 输出和输入的连接是旁通的，以致可以继续维持 DMX 线路的连通。

每盏灯都要一个地址码，能够接收控台发出的信息，范围在 0 - 512 之间，系统的终端需要装配一个终端器，以减少信号传输出现错误。

#### DMX 地址码设置

使用通用 DMX 控台控制灯具时，请先为灯具设置起始地址码（1 ~ 512），以便灯具能接收 DMX 信号。

按 MENU 按钮直到屏幕上显示 DMX 地址，按 ENTER 按钮，并使用 DOWN /UP 按钮改变 DMX512 地址。按 ENTER 按钮直到显示屏停止闪烁或一分钟后自动保存。退回主菜单请按 MENU 按钮。

### Safety introduction and product maintenance 安全介绍及产品保养

1. The power connection must be made by professionals.
2. Make sure that the use voltage is not higher or lower than the specified value in the instruction manual.
3. Confirm that the power cord is not cut or damaged by a sharp blade.
4. Be sure to disconnect the power supply when the lamp is not in use or before cleaning.
5. Only the plug is allowed to connect the power cord. When pulling out the plug, please do not pull the power cord forcibly.
6. Be careful when installing the lamps and avoid touching the bare wires, otherwise you will suffer a fatal electric shock.
7. Please do not look directly at the light source when the lamp is in use, otherwise your eyes will be hurt.
8. When choosing the installation location, please ensure that the lamp is not exposed to extreme heat, humidity or dust. The distance between the lamp and the illuminated object must exceed 0.5 meters. Make sure that there are no flammable and explosive materials within 0.5

meters.

9. Please use proper and safe wires to connect the lamps.

10. Please operate after familiarizing with the function of the lamp. Most of the damage to the lamps is caused by improper operation, so non-professionals are not allowed to operate the lamps. Do not shake the lamp at will, and do not operate it roughly.

11. Please do not modify the lamp at will. Doing so may cause short circuit, burning, electric shock, etc., and cause malfunction and damage of the lamp. The manufacturer does not provide warranty

- 1、要由专业人员进行电源连接。
- 2、确认使用电压不要高于或低于使用说明手册的规定值。
- 3、确认电源线没有被利刃划破或损坏。
- 4、灯具在不用时或在清洁前一定要断开电源。
- 5、只允许用插头连接电源线，在拔插头时请不要用力拽电源线来拔出插头
- 6、在安装灯具的过程中要小心操作，避免触摸裸露的电线，否则会遭受致命电击。
- 7、灯具在使用时请不要直视光源，否则眼睛会受到伤害。
- 8、在选择安装位置时，请确保灯具不被暴露在极热、潮湿或灰尘的地方。灯具和被照射物体之间距离必须超过 0.5 米。确保在 0.5 米距离内没有易燃易爆物品。
- 9、请使用适当的、安全的电线连接灯具。
- 10、请在熟悉了灯具的功能后再进行操作。灯具的损坏大多数是由于不正当操作引起的，因此不允许非专业人员操作灯具。使用时不要随意摇晃灯具，不可粗暴操作。
- 11、请不要随意修改灯具，这样做可能会导致灯具出现短路、燃烧、电击等现象，而且因此而造成灯具的故障和损坏，生产厂家不予保修。

**Please pay attention to the following points when testing this product:**

1. All screws and parts for installing the product must be tightly connected.
2. The housing, lens, fixing parts and installation location (such as ceiling, hanger, truss, etc.) cannot be deformed
3. The moving parts of the machinery must not be worn out and cannot rotate unbalanced.
4. The power cord should not have any damage, broken skin or scars, etc.
5. The installation and use of the product must be carried out by trained professional and technical personnel, and safety hazards must be eliminated.

**Note: Please unplug the power cord before doing product  
maintenance!!!**

**注意：请在做产品保养前把电源线拔掉!!!**

In order to keep the product in good condition and prolong its service life, we recommend regular cleaning of the product. The number of cleaning depends on the operating frequency of the lamp and the surrounding environment:

1. Regularly clean the outer lens and inner lens of the product to prevent the light output of the product from being weakened due to the dust on the lens.

2. Clean the fan regularly. In addition, the dust cover of the machine should be removed for cleaning, because long-term use will cause dust to block the dust cover and affect the heat dissipation effect of the machine.

3. Every three months, a professional electrical engineer shall conduct a detailed circuit inspection of the product to ensure that the circuit contacts are in good condition to prevent the circuit contacts from aging due to overheating. Please be careful not to use damp linen, and never use alcohol or solvents for cleaning.

If users need any spare parts, please purchase them with the seller.

The company's products have good performance and complete packaging when they leave the factory. All users should strictly abide by the warnings and operating instructions stated above. Any damage caused by misuse is not covered by the company's warranty, and the dealers are not responsible for failures and problems caused by ignoring the operating manual.

为保持产品的良好状态，延长使用寿命，我们建议对产品进行常规的清洁。清洁次数视灯具的操作频度和周围的使用环境而定：

1. 定期对产品的外部透镜及内部透镜进行清洁，以防因透镜积尘而导致产品的光输出减弱。
2. 定期对风扇进行清洁，另外机器的防尘罩也要拆下来清洗，因为长时间的使用会导致灰尘堵塞防尘罩，而影响机器的散热效果。
3. 每三个月由专业的电气工程师对产品进行详细的电路检查，保证电路接点良好，以防由于过热导致电路接点老化。

请注意不要使用潮湿的麻布，千万不能使用酒精或者溶剂进行清洁。

如果用户需要任何备件，请向当地经销商进行购买。

本公司产品在出厂时，性能完好，包装完整。所有使用者应严格遵守以上陈述的警告事项和操作说明，任何因误用而导致的损坏不在本公司保修之内。